

Customer Information Sheet

DRAWING No.: M80-400000FC-XX-XXX-00-000

SHEET 4 OF 6

IF IN DOUBT - ASK

©

NOT TO SCALE

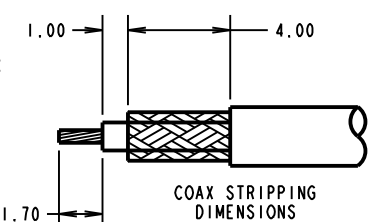
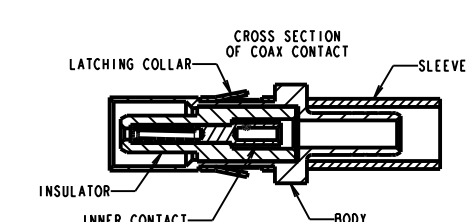
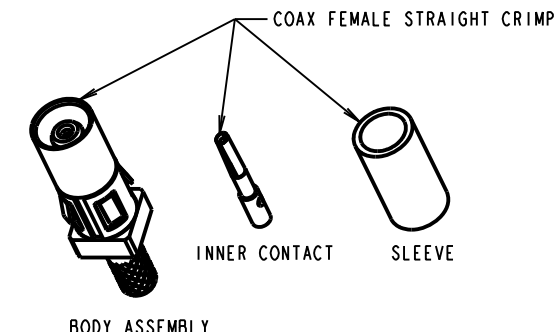
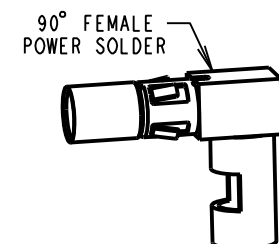
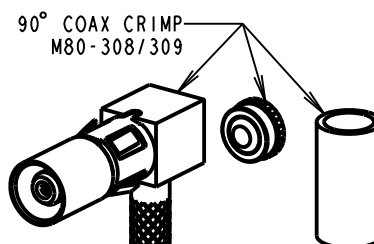
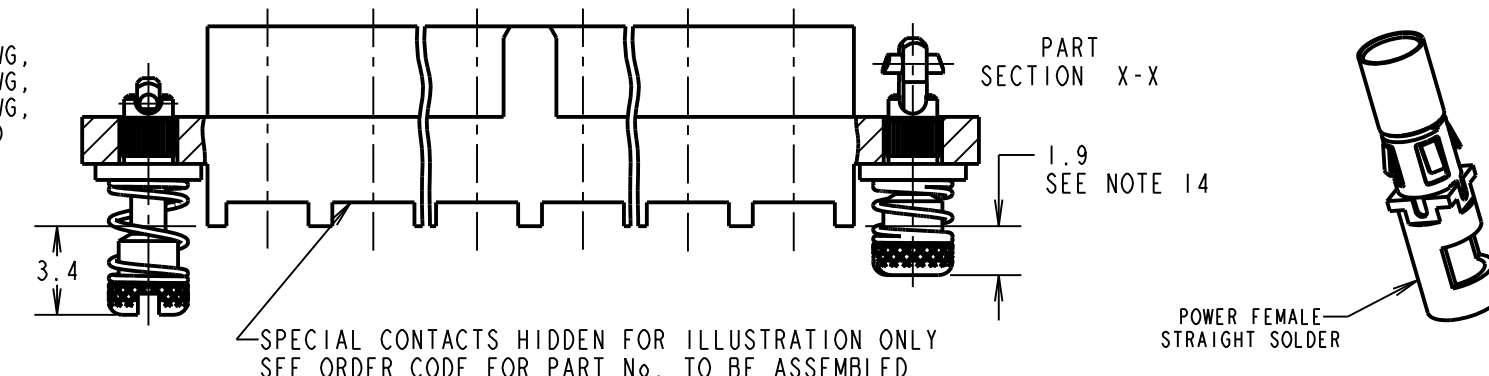
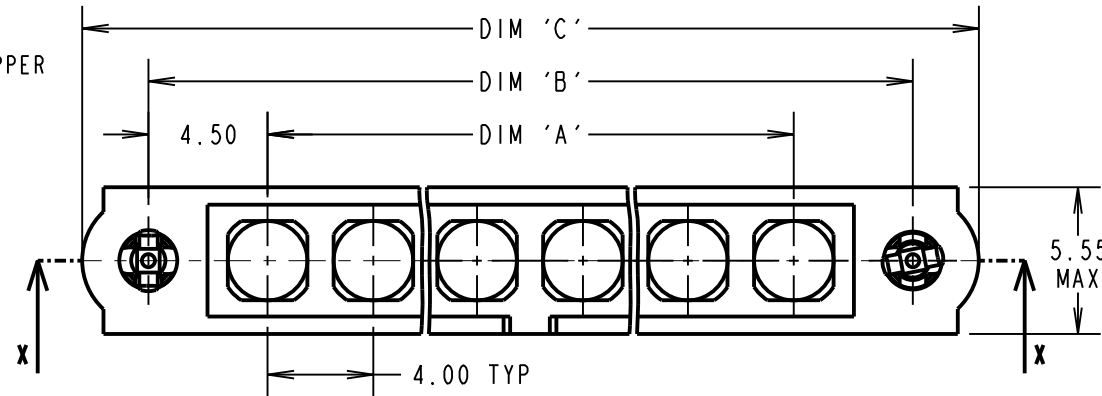
THIRD ANGLE PROJECTION

ALL DIMENSIONS IN mm

SPECIFICATIONS:

MATERIAL:
 MOULDING: GLASS FILLED PPS, UL94V-0, BLACK
 POWER & COAX CONTACT:
 BODY = COPPER ALLOY
 INNER CONTACT, LATCHING COLLAR = BERYLLIUM COPPER
 INSULATOR = PTFE
 IOI SCREW, COLLAR = STAINLESS STEEL
 SPRING = MUSIC WIRE
FINISH:
 POWER & COAX CONTACT
 BODY, SLEEVE, INNER CONTACT = GOLD
 LATCHING COLLAR = NICKEL
 SPRING = NICKEL
ELECTRICAL:
 WORKING VOLTAGE = 120V AC/DC
 VOLTAGE PROOF = 360V AC/DC
 INSULATION RESISTANCE = 100MΩ MIN
POWER CONTACT:
 CONTACT RESISTANCE = 6mΩ MAX
 CURRENT RATING = M80-325 20A MAX 12AWG,
 M80-326 15A MAX 14AWG, M80-327 10A MAX 16AWG,
 M80-328 8A MAX 18AWG, M80-329 5A MAX 20AWG,
 M80-32A 20A MAX 12AWG, M80-32B 15A MAX 14AWG,
 M80-32C 10A MAX 16AWG, CONTACT AS SPECIFIED
COAX CONTACT:
 FREQUENCY RANGE = 6GHz
 IMPEDANCE = 50 Ω
 V.S.W.R = 1.05 + (0.04 x FREQUENCY) GHz MAX
 CONTACT RESISTANCE 6 mΩ MAX
 INSULATION RESISTANCE = 10⁶MΩ @250V AC
 OPERATING VOLTAGE = 180V AC @ 500ma
 MAXIMUM VOLTAGE = 1000V AC
MECHANICAL:
 DURABILITY = 500 OPERATIONS
 POWER & COAX CONTACT:
 INSERTION FORCE = 5N MAX
 WITHDRAWAL FORCE = 0.5N MIN
ENVIRONMENTAL:
 TEMPERATURE RANGE = -55°C TO +125°C
PACKING:
 BAG
 FOR COMPLETE SPECIFICATION SEE COMPONENT SPECIFICATION C005XX (LATEST ISSUE)

CRIMP AND SOLDER CONTACTS ONLY



<p>M80-328/329 x No. OF CONTACTS</p> <p>7.55 (DIM 'H')</p> <p>ALL POWER CONTACTS ONLY</p>	<p>M80-305/306/307 x No. OF CONTACTS</p> <p>7.55 MAX (DIM 'D')</p> <p>ALL COAX CONTACTS ONLY</p>	<p>M80-325/326/327 x No. OF CONTACTS</p> <p>7.55 MAX (DIM 'E')</p> <p>ALL POWER CONTACTS ONLY</p>
<p>M80-308/309 x No. OF CONTACTS</p> <p>7.55 MAX (DIM 'F')</p> <p>ALL 90° COAX CONTACTS ONLY</p>	<p>M80-32A/32B/32C x No. OF CONTACTS</p> <p>7.55 MAX (DIM 'G')</p> <p>ALL 90° POWER CONTACTS ONLY</p>	

DIMENSION	CALCULATION
DIM 'A'	4 x No. OF CONTACTS - 4.00
DIM 'B'	4 x No. OF CONTACTS + 5.00
DIM 'C'	4 x No. OF CONTACTS + 10.00
DIM 'D'	M80-305/306/307=13.4mm
DIM 'E'	M80-325/326/327=12.7mm
DIM 'F'	M80-308/309 = 9.7mm
DIM 'G'	M80-32A/32B/32C = 10.3mm
DIM 'H'	M80-328/329 = 13.9mm
EXAMPLE 1: CONNECTOR WITH 08 COAX CONTACTS, M80-400000FC-08-305-00-000 DIM 'A' = 28.00mm, DIM 'B' = 37.00mm, DIM 'C' = 42.00mm, DIM 'D' = 13.4mm	
EXAMPLE 2: CONNECTOR WITH 10 POWER CONTACTS, M80-400000FC-10-325-00-000 DIM 'A' = 36.00mm, DIM 'B' = 45.00mm, DIM 'C' = 50.00mm, DIM 'E' = 12.7mm	

ORDER CODE: (CRIMP/SOLDER)
M80-400000FC-XX-XXX-00-000

TOTAL No. OF CONTACTS
 02 TO 12

SPECIAL CONTACTS

- 305 = COAX CONTACT CRIMP 2.0mm M80-305
- 306 = COAX CONTACT CRIMP 2.4mm M80-306
- 307 = COAX CONTACT CRIMP 2.7mm M80-307
- 308 = 90° COAX CONTACT CRIMP 2.0mm M80-308
- 309 = 90° COAX CONTACT CRIMP 2.7mm M80-309
- 325 = POWER CONTACT SOLDER 12AWG M80-325
- 326 = POWER CONTACT SOLDER 14AWG M80-326
- 327 = POWER CONTACT SOLDER 16AWG M80-327
- 328 = POWER CONTACT CRIMP/SOLDER 18AWG M80-328
- 329 = POWER CONTACT CRIMP/SOLDER 20AWG M80-329
- 32A = 90° POWER CONTACT SOLDER 12AWG M80-32A
- 32B = 90° POWER CONTACT SOLDER 14AWG M80-32B
- 32C = 90° POWER CONTACT SOLDER 16AWG M80-32C

- NOTES:
- CONNECTORS ARE SUPPLIED WITH CONTACTS LOOSE.
 - COAX CONTACT IS SUPPLIED AS A KIT OF PARTS: BODY, INSULATOR AND LATCHING COLLAR ARE PRE-ASSEMBLED AND SLEEVE AND INNER CONTACT ARE SEPARATE.
 - FOR EXTRA POWER CONTACTS, USE PART NUMBER M80-325/326/327/328/329/32A/32B/32C. FOR EXTRA COAX CONTACTS, USE PART NUMBER M80-305/306/307/308/309
 - RECOMMENDED HAND CRIMP TOOL FOR COAX INNER CONTACT = Z80-292 WITH POSITIONER Z80-291 AND RECOMMENDED HAND CRIMP TOOL AND DIE SET FOR COAX SLEEVE = Z80-293.
 - RECOMMENDED HAND CRIMP TOOL FOR CONTACTS M80-328/329 = Z80-294 AND POSITIONER Z80-295.
 - POWER AND COAX CONTACT EXTRACTION TOOL = Z80-290
 - POWER CONTACT WIRE, STRIP BY 5.00mm MINIMUM
 - INSTRUCTION SHEETS ARE AVAILABLE.
 - FOR EXAMPLE OF ALL COAX SPECIAL CONTACTS ORDER CODE SEE EXAMPLE 1 IN TABLE.
 - FOR EXAMPLE OF ALL POWER SPECIAL CONTACTS ORDER CODE SEE EXAMPLE 2 IN TABLE.
 - RECOMMENDED PANEL/PCB THICKNESS = 1.3 - 1.6mm.
 - RECOMMENDED WIRE TYPE = BS 3G 210 TYPE A, PTFE INSULATED 24-28 AWG. MAX INSULATION DIAMETER = Ø1.10mm, STRIP WIRE BY 2.00mm.
 - SPRING LOAD WHEN SOLID = 2.642N. SPRING RATE = 1.32N/mm.
 - LENGTH WILL BE 1.9mm WHEN IOI LOK SCREWS ARE ENGAGED WITH RETAINERS IN MATING CONNECTOR.

SM	4	07.04.11	11222
NAME	ISS.	DATE	C/NOTE
APPROVED: S. MCCULLAGH			
CHECKED: M. G. PLESTED			
DRAWN: C. PENROSE			
CUSTOMER REF.:			
ASSEMBLY DRG:			

HARWIN			THIS DRAWING AND ANY INFORMATION OR DESCRIPTIVE MATTER SET OUT HEREON ARE CONFIDENTIAL AND COPYRIGHT PROPERTY OF THE HARWIN GROUP AND MUST NOT BE DISCLOSED, LOANED, COPIED OR USED FOR MANUFACTURING, TENDERING OR FOR ANY OTHER PURPOSE WITHOUT THEIR WRITTEN PERMISSION.	TOLERANCES X. = ±1mm X.X = ±0.25mm X.XX = ±0.10mm X.XXX = ±0.01mm ANGLES = ±5° UNLESS STATED	MATERIAL: SEE ABOVE FINISH: SEE ABOVE S/AREA: mm ²	TITLE: JACKSCREW DATAMATE MIXED TECHNOLOGY FEMALE ASSY WITH IOI LOK J/S DRAWING NUMBER: M80-400000FC-XX-XXX-00-000	SHT 4 OF 6
HARWIN USA TEL: 603 893 5376 FAX: 603 893 5396 mis@harwin.com	HARWIN Europe (UK) TEL: 023 9231 4545 FAX: 023 9231 4590 mis@harwin.co.uk	HARWIN Asia TEL: +65 6 779 4909 FAX: +65 6 779 3868 mis@harwin.com.sg					

Customer Information Sheet

DRAWING No.: M80-400000FC-XX-XXX-00-000

SHEET 5 OF 6

IF IN DOUBT - ASK

©

NOT TO SCALE

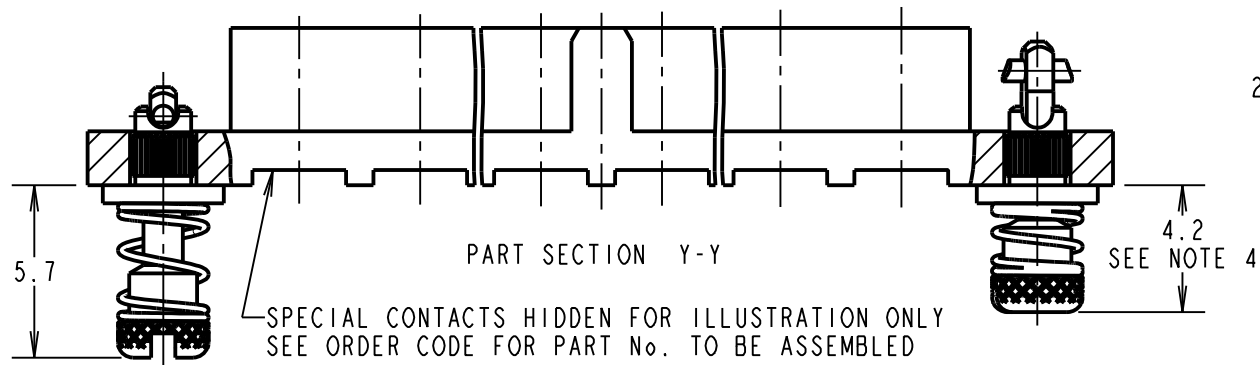
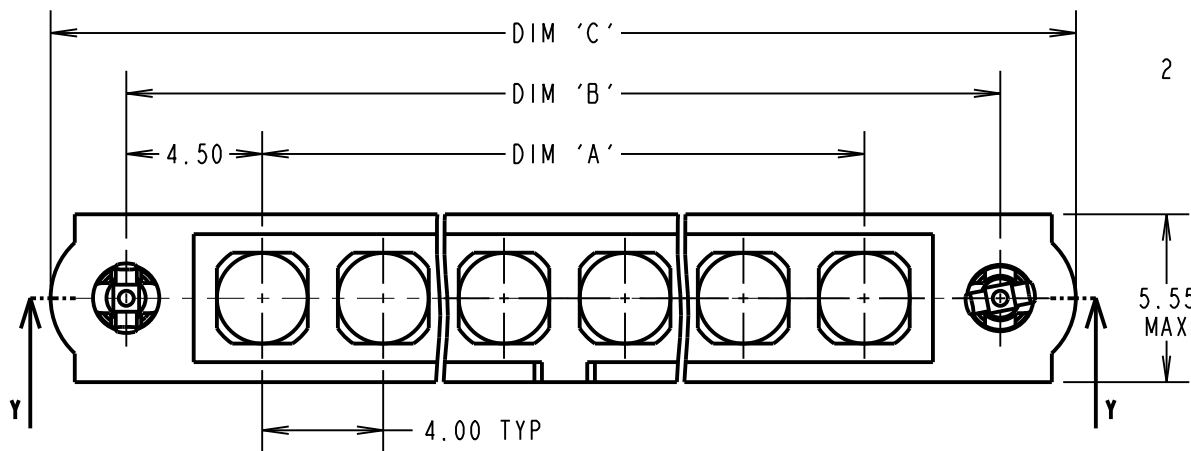
THIRD ANGLE PROJECTION

ALL DIMENSIONS IN mm

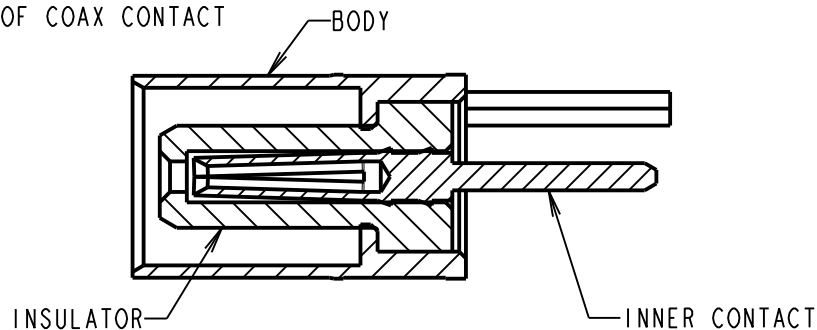
SPECIFICATIONS:

MATERIAL:
 MOULDING: GLASS FILLED PPS, UL94V-0, BLACK
POWER & COAX CONTACT:
 BODY = COPPER ALLOY
 INNER CONTACT = BERYLLIUM COPPER
 INSULATOR = PTFE
 101 SCREW, COLLAR = STAINLESS STEEL
 SPRING = MUSIC WIRE
FINISH:
POWER & COAX CONTACT
 BODY, SLEEVE, INNER CONTACT = GOLD
 SPRING = NICKEL
ELECTRICAL:
 WORKING VOLTAGE = 120V AC/DC
 VOLTAGE PROOF = 360V AC/DC
 INSULATION RESISTANCE = 100MΩ MIN
POWER CONTACT:
 CONTACT RESISTANCE = 6mΩ MAX
 CURRENT RATING = 20A MAX
COAX CONTACT:
 FREQUENCY RANGE = 6GHz
 IMPEDANCE = 50 Ω
 V.S.W.R = 1.05 + (0.04 x FREQUENCY) GHz MAX
 CONTACT RESISTANCE 6 mΩ MAX
 INSULATION RESISTANCE = 10⁶MΩ @250V AC
 OPERATING VOLTAGE = 180V AC @ 500mA
 MAXIMUM VOLTAGE = 1000V AC
MECHANICAL:
 DURABILITY = 500 OPERATIONS
POWER & COAX CONTACT:
 INSERTION FORCE = 5N MAX
 WITHDRAWAL FORCE = 0.5N MIN
ENVIRONMENTAL:
 TEMPERATURE RANGE = -55°C TO +125°C
PACKING:
 TUBE
 FOR COMPLETE SPECIFICATION SEE COMPONENT SPECIFICATION C005XX (LATEST ISSUE)

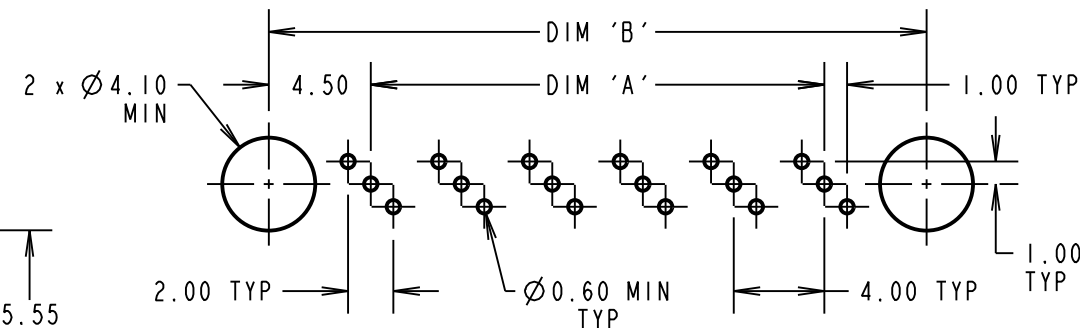
PC TAIL VERTICAL CONTACTS ONLY



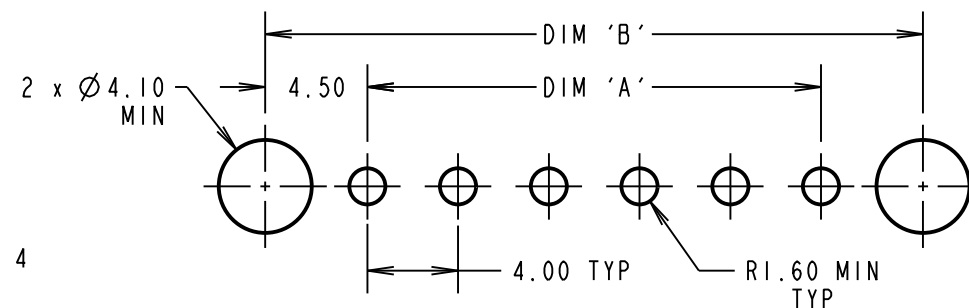
CROSS-SECTION OF COAX CONTACT



RECOMMENDED PCB LAYOUT FOR ALL COAX CONTACTS ONLY



RECOMMENDED PCB LAYOUT FOR ALL POWER CONTACTS ONLY



NOTES:

- FOR EXAMPLE OF ALL COAX SPECIAL CONTACTS ORDER CODE SEE EXAMPLE 1 IN TABLE
- FOR EXAMPLE OF ALL POWER SPECIAL CONTACTS ORDER CODE SEE EXAMPLE 2 IN TABLE.
- SPRING LOAD WHEN SOLID = 2.642N. SPRING RATE = 1.32N/mm.
- LENGTH WILL BE 4.2mm WHEN 101LOK SCREWS ARE ENGAGED WITH RETAINERS IN MATING CONNECTOR.

DIMENSION	CALCULATION
DIM 'A'	4 x No. OF CONTACTS - 4.00
DIM 'B'	4 x No. OF CONTACTS + 5.00
DIM 'C'	4 x No. OF CONTACTS + 10.00
DIM 'D'	M80-301 = 3.00mm, M80-302 = 4.50mm
DIM 'E'	M80-321 = 3.50mm, M80-322 = 5.00mm

EXAMPLE 1: CONNECTOR WITH 08 COAX CONTACTS,
 M80-400000FC-08-301-00-000
 DIM 'A' = 28.00mm, DIM 'B' = 37.00mm, DIM 'C' = 42.00mm
 DIM 'D' = 3.00mm

EXAMPLE 2: CONNECTOR WITH 10 POWER CONTACTS,
 M80-400000FC-10-321-00-000
 DIM 'A' = 36.00mm, DIM 'B' = 45.00mm, DIM 'C' = 50.00mm
 DIM 'E' = 3.50mm

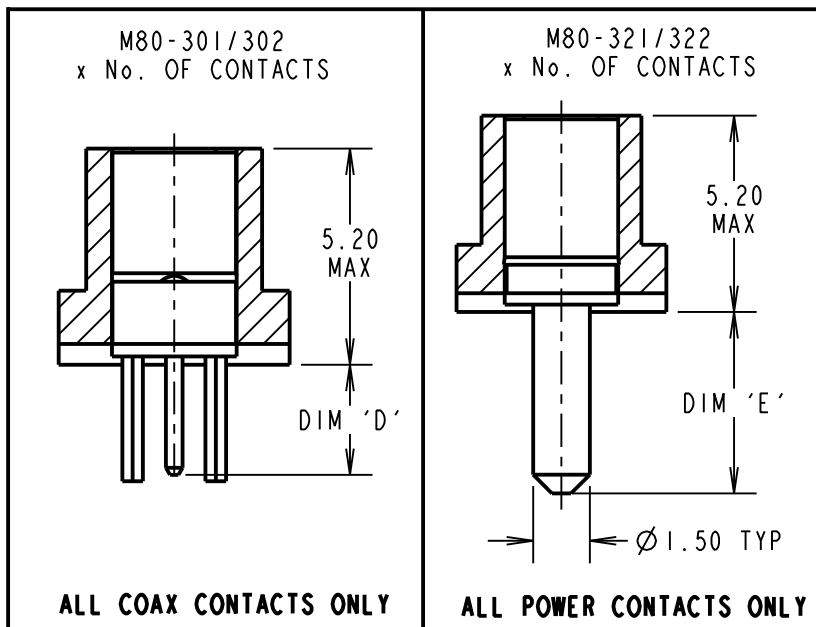
ORDER CODE:(PC TAIL VERTICAL CONTACTS ONLY)

M80-400000FC-XX-XXX-00-000

TOTAL No. OF CONTACTS
 02 TO 12

SPECIAL CONTACTS

- 301 = COAX CONTACT PC TAIL 3.0mm M80-301
- 302 = COAX CONTACT PC TAIL 4.5mm M80-302
- 321 = POWER CONTACT PC TAIL 3.5mm M80-321
- 322 = POWER CONTACT PC TAIL 5.0mm M80-322



SM	4	07.04.11	11222
NAME	ISS.	DATE	C/NOTE
APPROVED: S. MCCULLAGH			
CHECKED: M. G. PLESTED			
DRAWN: C.PENROSE			
CUSTOMER REF.:			
ASSEMBLY DRG:			

HARWIN

HARWIN USA
 TEL: 603 893 5376
 FAX: 603 893 5396
 mis@harwin.com

HARWIN Europe (UK)
 TEL: 023 9231 4545
 FAX: 023 9231 4590
 mis@harwin.co.uk

HARWIN Asia
 TEL: +65 6 779 4909
 FAX: +65 6 779 3868
 mis@harwin.com.sg

THIS DRAWING AND ANY INFORMATION OR DESCRIPTIVE MATTER SET OUT HEREON ARE CONFIDENTIAL AND COPYRIGHT PROPERTY OF THE HARWIN GROUP AND MUST NOT BE DISCLOSED, LOANED, COPIED OR USED FOR MANUFACTURING, TENDERING OR FOR ANY OTHER PURPOSE WITHOUT THEIR WRITTEN PERMISSION.

TOLERANCES
 X. = ±1mm
 X.X = ±0.25mm
 X.XX = ±0.10mm
 X.XXX = ±0.01mm
ANGLES = ±5°
 UNLESS STATED

MATERIAL:
 SEE ABOVE
FINISH:
 SEE ABOVE
S/AREA:
 mm²

TITLE: JACKSCREW DATAMATE MIXED TECHNOLOGY FEMALE ASSY WITH 101LOK J/S
DRAWING NUMBER:
M80-400000FC-XX-XXX-00-000
 SHT 5 OF 6

Customer Information Sheet

DRAWING No.: M80-400000FC-XX-XXX-00-000

SHEET 6 OF 6

IF IN DOUBT - ASK

©

NOT TO SCALE

THIRD ANGLE PROJECTION

ALL DIMENSIONS IN mm

SPECIFICATIONS:

MATERIAL:
 MOULDING: GLASS FILLED PPS, UL94V-0, BLACK
 POWER CONTACT: COPPER ALLOY
 101 SCREW, COLLAR = STAINLESS STEEL
 SPRING = MUSIC WIRE

FINISH:
 POWER CONTACT = GOLD
 SPRING = NICKEL

ELECTRICAL:
 WORKING VOLTAGE = 120V AC/DC
 VOLTAGE PROOF = 360V AC/DC
 INSULATION RESISTANCE = 100MΩ MIN

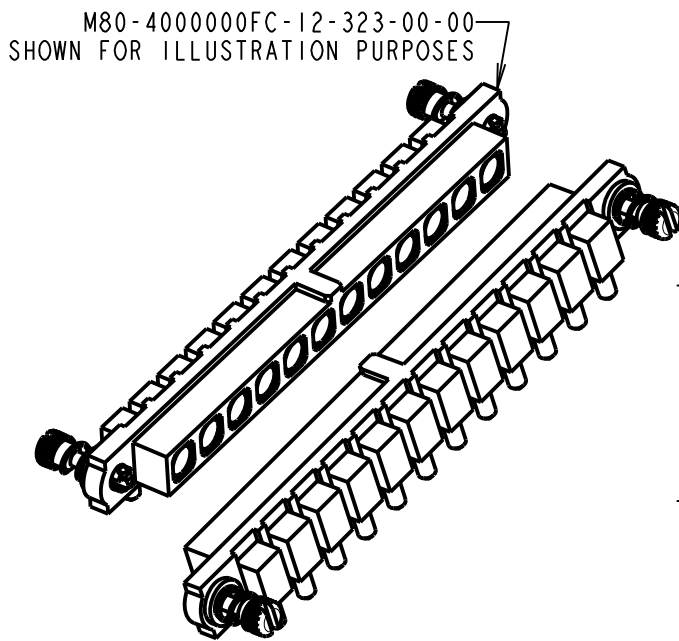
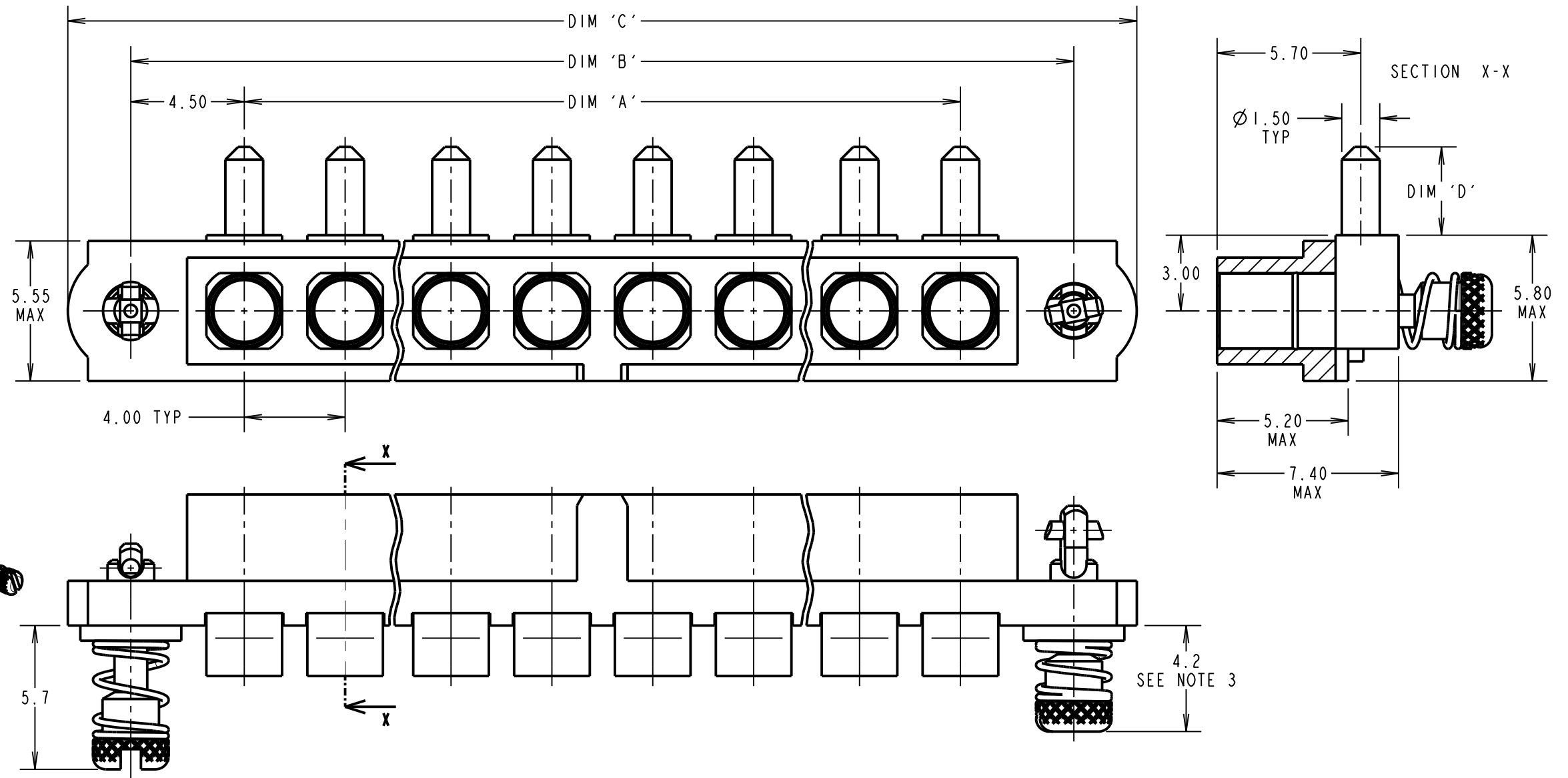
POWER CONTACT:
 CONTACT RESISTANCE = 6 mΩ MAX
 CURRENT RATING = 20A MAX

MECHANICAL:
 DURABILITY = 500 OPERATIONS
 POWER CONTACT:
 INSERTION FORCE = 5N MAX
 WITHDRAWAL FORCE = 0.5N MIN

ENVIRONMENTAL:
 TEMPERATURE RANGE = -55°C TO +125°C

PACKING:
 TUBE
 FOR COMPLETE SPECIFICATION SEE COMPONENT SPECIFICATION C005XX (LATEST ISSUE)

PC TAIL HORIZONTAL CONTACTS ONLY



NOTES:

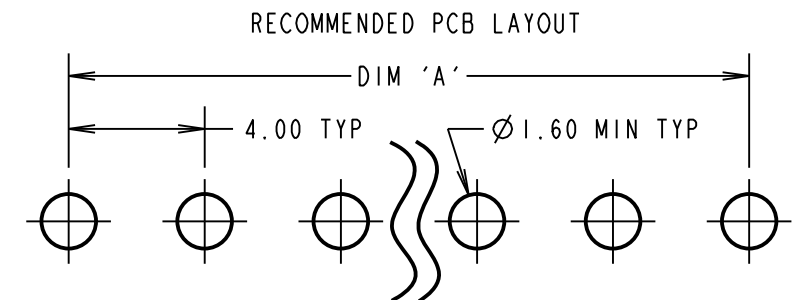
- FOR EXAMPLE OF ALL POWER SPECIAL CONTACTS ORDER CODE SEE EXAMPLES IN TABLE.
- SPRING LOAD WHEN SOLID = 2.642N. SPRING RATE = 1.32N/mm.
- LENGTH WILL BE 4.2mm WHEN 10ILOK SCREWS ARE ENGAGED WITH RETAINERS IN MATING CONNECTOR.

DIMENSION	CALCULATION
DIM 'A'	4 x No. OF CONTACTS - 4.00
DIM 'B'	4 x No. OF CONTACTS + 5.00
DIM 'C'	4 x No. OF CONTACTS + 10.00
DIM 'D'	M80-323 = 3.50mm, M80-324 = 5.00mm
EXAMPLE 1: CONNECTOR WITH 10 POWER CONTACTS 3.5mm, M80-400000FC-10-323-00-000 DIM 'A' = 36.00mm, DIM 'B' = 45.00mm, DIM 'C' = 50.00mm, DIM 'D' = 3.50mm	
EXAMPLE 2: CONNECTOR WITH 10 POWER CONTACTS 5.0mm, M80-400000FC-10-324-00-000 DIM 'A' = 36.00mm, DIM 'B' = 45.00mm, DIM 'C' = 50.00mm, DIM 'D' = 5.00mm	

ORDER CODE:
 (FEMALE HORIZONTAL POWER CONTACTS ONLY)
M80-400000FC-XX-XXX-00-000

TOTAL No. OF CONTACTS
 02 TO 12

FEMALE HORIZONTAL POWER CONTACTS
 323 = POWER CONTACT PC TAIL 3.5mm M80-323
 324 = POWER CONTACT PC TAIL 5.0mm M80-324



SM	4	07.04.11	11222
NAME	ISS.	DATE	C/NOTE
APPROVED: S. MCCULLAGH			
CHECKED: M. G. PLESTED			
DRAWN: C. PENROSE			
CUSTOMER REF.:			
ASSEMBLY DRG:			

HARWIN			THIS DRAWING AND ANY INFORMATION OR DESCRIPTIVE MATTER SET OUT HEREON ARE CONFIDENTIAL AND COPYRIGHT PROPERTY OF THE HARWIN GROUP AND MUST NOT BE DISCLOSED, LOANED, COPIED OR USED FOR MANUFACTURING, TENDERING OR FOR ANY OTHER PURPOSE WITHOUT THEIR WRITTEN PERMISSION.	TOLERANCES X. = ±1mm X.X = ±0.25mm X.XX = ±0.10mm X.XXX = ±0.01mm ANGLES = ±5° UNLESS STATED	MATERIAL: SEE ABOVE FINISH: SEE ABOVE S/AREA: mm ²	TITLE: JACKSCREW DATAMATE MIXED TECHNOLOGY FEMALE ASSY WITH 10ILOK J/S DRAWING NUMBER: M80-400000FC-XX-XXX-00-000	SHT 6 OF 6
HARWIN USA TEL: 603 893 5376 FAX: 603 893 5396 mis@harwin.com	HARWIN Europe (UK) TEL: 023 9231 4545 FAX: 023 9231 4590 mis@harwin.co.uk	HARWIN Asia TEL: +65 6 779 4909 FAX: +65 6 779 3868 mis@harwin.com.sg					